

## Triple-Strand Roller Chains DIN ISO 606 (formerly DIN 8187)

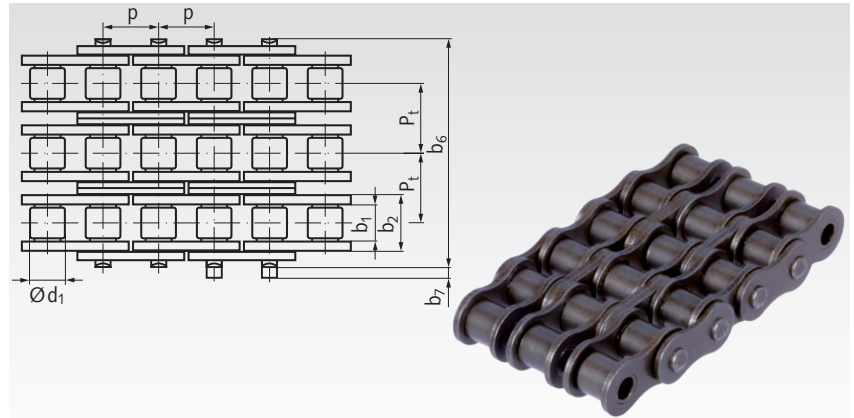
**Material:** Special chain steels.

High-quality triplex roller chains, pre-stretched according to DIN. Notes regarding the performance calculation on page 36.

Waisted link plates (size 06 with straight link plates). Chains are supplied with an uneven number of links, with inner links at both ends. Connecting links must be ordered separately.

**Temperature range:** -20°C to +120°C.

Other temperatures are possible if special grease is used.



**Ordering Details:** e.g.: Product No. 131 000 00,  
Triple-Strand Roller Chain, 06 B-3

DIN ISO-No.	Product No.	Pitch x Inner Width $p \times b_{1min}$		Inner Link Width $b_2$ mm	Roller- Ø $d_1$ mm	Width $b_6$ mm	Transverse Pitch $P_t$ mm	Projection $b_7^{2)}$ mm	Breaking Load min. N	Weight kg/m
		mm	inch							
06 B-3 <sup>1)</sup>	131 000 00 <sup>1)</sup>	9,525	x 5,72	8,53	6,35	34,4	10,24	3,3	24900	1,18
08 B-3	135 000 00	12,7	x 7,75	11,30	8,51	44,9	13,92	3,9	44500	2,0
10 B-3	136 000 00	15,875	x 9,65	13,28	10,16	52,8	16,59	4,1	66700	2,8
12 B-3	137 000 00	19,05	x 11,68	15,62	12,07	61,7	19,46	4,6	86700	3,8
16 B-3	138 000 00	25,4	x 17,02	25,45	15,88	99,9	31,88	5,4	160000	8,0

<sup>1)</sup> With straight link plates.

<sup>2)</sup> Maximum values at the connecting link.

**Attention please: Packing Unit 5m**  
If special lengths are needed, please tell us the length and the number of links (uneven number!). Connecting links have to be ordered separately.

## Connecting Links for Triple-Strand Roller Chains DIN ISO 606 (formerly DIN 8187)

**Material:**  
Special chain steels.



No. 11/E: Connecting Link with Spring Clip



No. 12/L: Cranked Link with Cottered Pin



No. 4/B: Inner Link (3 Pieces Required)

**Ordering Details:** e.g.:  
Product No. 131 003 00,  
Connecting Link No. 11/E, 06 B-3

DIN ISO No.	Product No. Connecting Link No. 11/E	Weight g	Product No. Crkd.. Link No. 12/L <sup>1)</sup>	Weight g	Product No. Inner Link No. 4/B <sup>2)</sup>	Weight g
08 B-3	135 003 00	26	135 004 00	27	105 001 00	9
10 B-3	136 003 00	36	136 004 00	45	106 001 00	16
12 B-3	137 003 00	60	137 004 00	71	107 001 00	25
16 B-3	138 003 00	183	138 004 00	210	108 001 00	79

<sup>1)</sup> With cranked links, power and breaking load are reduced by 20%.

<sup>2)</sup> 3 pieces required.